



IP 30 M



IP 50 M

Meat mixers - bench / floor



YouTube



IP 30 M



IP 50 M  
(shown with Set of 4 s/steel legs w/ brake casters option)

- 60 and 105 lbs. single paddle mixers allow for a fast, homogenous yet gentle mix of a variety of products from sausage meat to potato salad, coleslaw and sandwich fillings - with a great sales appeal and longer shelf-life result
- Complete stainless steel construction
- Forward and reverse mixing action allows for more control over the most delicate products
- Exclusive side opening for easy product discharge from the tub, paddle removal and faster clean-up

### Features

#### Technical

- Completely made from stainless steel.
- Stainless steel paddle rotates for a thorough mixing and a faster kneading.
- The openable side lid facilitates easy product emptying, fast cleaning and maintenance.

#### Safety

- A safety interlock stops the machine when opening the lid.
- Overload and no volt release protection

#### Sanitary

- Removable paddle for an easy and accurate cleaning.

#### Optional

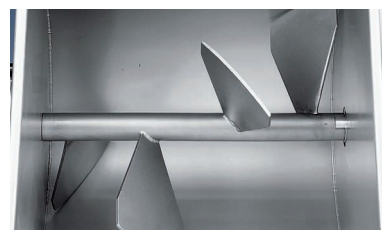
- Set of 4 s/steel legs with brake casters

### Specifications

- Motor:** 1.15 Hp (850W), 3.7A, fan cooled.  
**Electrical:** 220V AC, 60Hz, Single Phase.  
**Plug and Cord:** Attached, flexible, 4 wire (3PH+1G) SJT 14 AWG, 6'4" long cord.  
**Controls:** ON/OFF/REV stainless steel keypad, IP 67 waterproof protection. No voltage release



IP 30 M

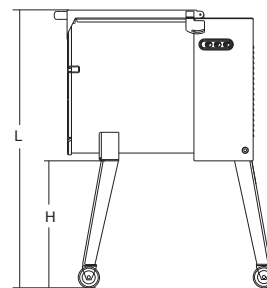
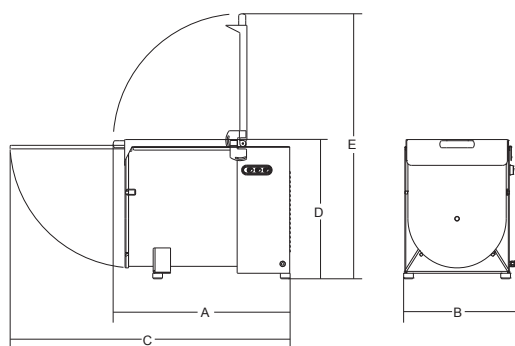


IP 50 M



ON / OFF / REV stainless steel keypad  
IP 67 waterproof protection  
No voltage release

Easy and fast breakdown for unloading and cleaning



Set of 4 s/steel legs with  
brake casters

	Power	Power source	Tank dimensions	Capacity	A	B	C	D	E	H	L	Net weight	Shipping	Gross weight
	watt/Hp		inch.	lbs.	inch.	inch.	inch.	inch.	inch.	inch.	inch.	lbs.	inch.	lbs.
<b>IP 30 M</b>	850/1.15	220V 60Hz 1-phase	11 <sup>13</sup> / <sub>16</sub> " x 15 <sup>3</sup> / <sub>4</sub> "	60	26 <sup>3</sup> / <sub>4</sub> "	14 <sup>3</sup> / <sub>8</sub> "	44 <sup>1</sup> / <sub>8</sub> "	20 <sup>7</sup> / <sub>8</sub> "	38 <sup>3</sup> / <sub>8</sub> "	17 <sup>5</sup> / <sub>16</sub> "	37"	108	30" x 26" x 29"	130
<b>IP 50 M</b>	850/1.15	220V 60Hz 1-phase	16 <sup>1</sup> / <sub>8</sub> " x 18 <sup>7</sup> / <sub>8</sub> "	105	29 <sup>1</sup> / <sub>2</sub> "	18 <sup>5</sup> / <sub>16</sub> "	49 <sup>3</sup> / <sub>16</sub> "	23 <sup>7</sup> / <sub>16</sub> "	44 <sup>1</sup> / <sub>8</sub> "	17 <sup>5</sup> / <sub>16</sub> "	39 <sup>3</sup> / <sub>4</sub> "	130	33" x 34" x 33"	163